



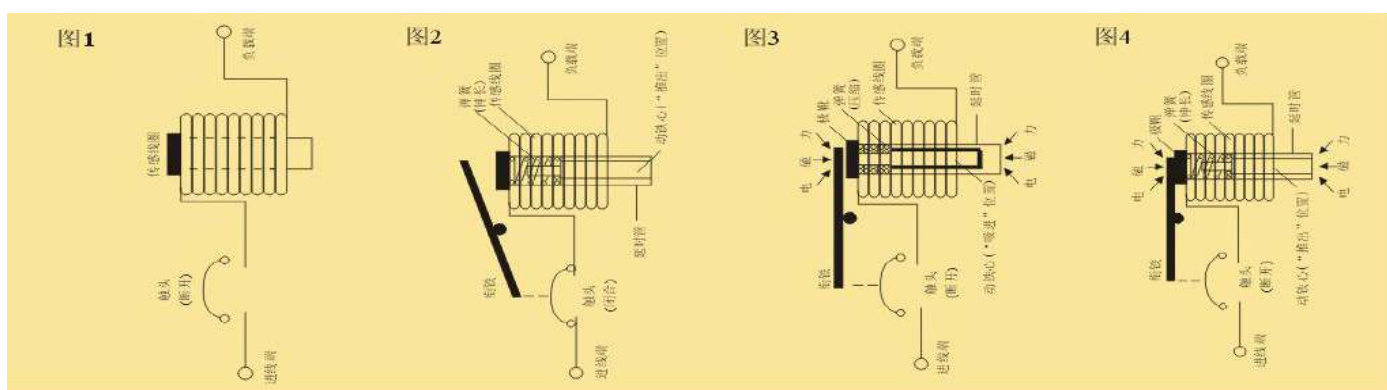
液压电磁式断路器 Hydraulic magnetic circuit breaker

HD-30、HD-50 是新一代小型、精密型设备用断路器，结构先进合理，采用液压电磁式结构，主要由操作机构、触头、脱钩机构等组成，具有抗冲击力强、高阻燃等特性，是一种具有过流与短路双重保护的限流型高灵敏度的小型断路器。

电路设备保护器为全密封结构，采用铜络触头、纵磁场结构，配置最新设计的永磁和弹簧储能操作机构，它有结构简单，运行可靠等特点。

HD-30 and HD-50 are a new generation of circuit breakers for small and precision equipment, with advanced and reasonable structure, using hydraulic electromagnetic structure, mainly composed of operating mechanism, contact, decoupling mechanism, etc., with strong impact resistance and high resistance. It is a kind of current-limiting high-sensitivity miniature circuit breaker with dual protection of over-current and short-circuit. The circuit equipment protector is a fully sealed structure, adopts copper contact, longitudinal magnetic field structure, and is equipped with the latest designed permanent magnet and spring energy storage operating mechanism. It has the characteristics of simple structure and reliable operation.

液磁断路器的工作原理（如下图） Tripping principle figure



适用范围 Application

HD 系列液压电磁断路器适用于交流 50/60HZ, 额定电压 250V 额定电流 0.5-100A 的电气系统中, 用作线路或设备的通断操作, 并可用来保护线路和电动机的过载及短路之用。特别适合于具有冲击或振动的场合使用, 同时适合在汽油发电机组中。

HD series hydraulic electromagnetic circuit breaker is suitable for AC 50/60HZ, rated voltage 250V and rated current 0.5-100A electrical system, used as the on-off operation of lines or equipment, and can be used to protect lines and motors from overload and short-circuit. Particularly suitable for use in occasions with impact or vibration, and also suitable for use in gasoline generator sets.

计算机及其外围设备	Computer and its peripheral equipment
工业自动化装置	Industrial automation equipment
电讯设备	Telecommunications equipment
通讯设备系统	Communication equipment system
UPS不间断电源设备	UPS uninterruptible power supply equipment
铁路机车	Railway locomotive
船用	Boat
电梯等控制系统	Elevator and other control systems
移动电源设备中	Mobile power equipment

本设备断路器符合 GB17701-1999 ,C22.2 和 IEC60934: 2000 等标准规定之要求; 并通过了 ROHS 认证和 CE 认证。

The circuit breaker meets the requirements of GB17701-1999, C22.2 and IEC60934: 2000 standards; and has passed ROHS certification and CE certification.

正常工作及安装条件 Working & Installation conditions

1. 周围空气温度: 上限为+85℃, 下限为-40℃。
2. 海拔高度不超过 2000 米。
3. 温度: 断路器安装使用地点的空气相对湿度在温度+85℃时不超过 50%, 最湿月平均最低温度不超过 25℃, 该月平均最大相对湿度不超过 90%。
4. 断路器可安装在显著冲击和振动的场合。
5. 断路器安装时与垂直面的倾斜度不超过 5°。
6. 断路器应安装在无爆炸危险介质, 无足以腐蚀金属和破坏绝缘的气体 and 尘埃 (包括导电尘埃) 的场所。
7. 断路器应安装在无雪雨侵蚀的地方。
8. 断路器安装类别为III类。
9. 断路器的污染等级为3级。

1. Ambient air temperature: the upper limit is +85 , and the lower limit is -40 .
2. The altitude does not exceed 2000 meters.
3. Temperature: The relative humidity of the air at the place where the circuit breaker is installed and used does not exceed 50% at a temperature of +85 , and the average minimum temperature of the wettest month does not exceed Above 25° C, the average maximum relative humidity of the month does not exceed 90%.
4. The circuit breaker can be installed in places with significant impact and vibration.
5. When the router is installed, the inclination to the vertical plane does not exceed 5° .
6. The circuit breaker should be installed in a place where there is no explosive dangerous medium, and there is no gas and dust (including conductive dust) that can corrode metals and damage the insulation.
7. The circuit breaker should be installed in a place where there is no erosion by snow or rain.
8. The installation category of the circuit breaker is Class III.
9. The pollution degree of the circuit breaker is Level 3.

主要技术参数 Main technical parameters

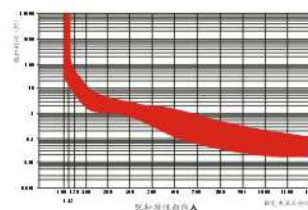
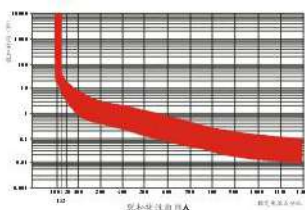
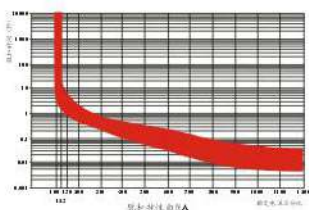
产品型号 Model	HD-30	HD-50	HD-25
额定电流 Rated current	1A-50A	1A-100A	1A-30A
额定电压 Rated voltage	AC250V 50/60Hz		
极数 Poles	1P 2P 3P 4P	1P 2P 3P 4P	2P
接线方式 Connection	螺钉, 拔插式 Bolt, Plug	螺栓 Bolt	拔插式 Plug
安装方式 Installation	板前安装 Font mounting	板前安装 Font mounting	板前安装 Font mounting

过电流脱扣器的动作特性 Operation characteristics of an over-current release

1. 动作特性 Operation characteristics

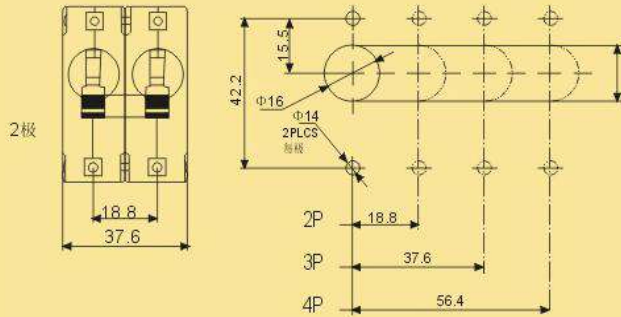
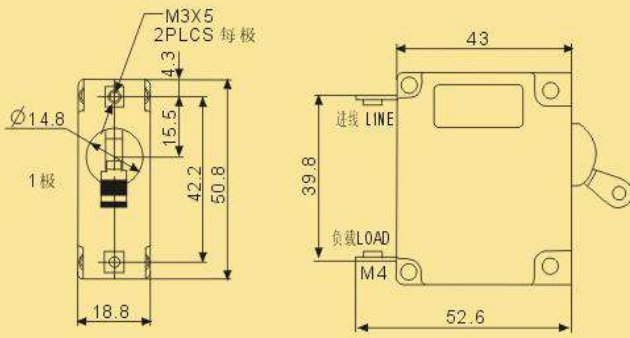
脱扣电源 Trip current	动作时间 (s) Operating time(s)				
	1 In	1.25 In	2 In	4 In	6 In
A	不动作 No action	2~40	0.5~5	0.2~0.8	0.04~0.3
B	不动作 No action	10~90	0.8~8	0.4~2	0.08~1
C	不动作 No action	20~180	2~10	0.8~3	0.1~1.5

2. 脱扣特性曲线 Tripping characteristic curve

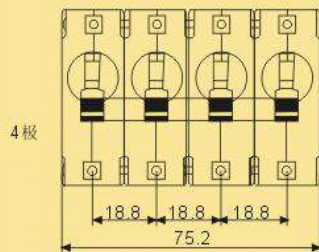
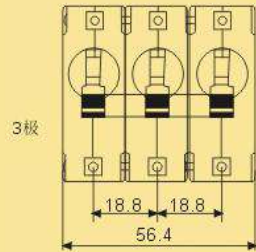


外形和安装尺寸 (mm) Outline & Installation dimensions(mm)

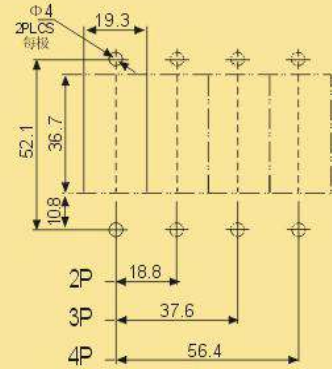
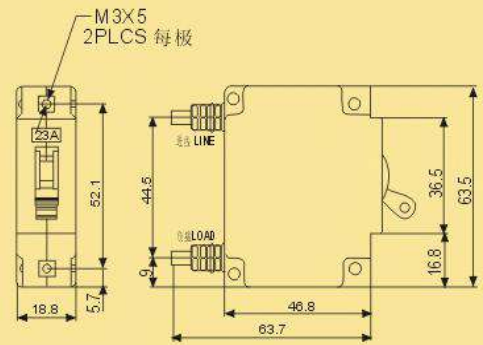
HD-30外形及安装尺寸



HD-30 面板开孔详图
(公差: ± 0.12)



HD-50外形及安装尺寸



HD-50 面板开孔详图
(公差: ± 0.12)

HD-25外形及安装尺寸

